

# P-721 PIFOC® Piezo Flexure Objective Scanner

## Fast Nanopositioner and Scanner for Microscope Objectives



P-721.CLQ piezo objective nan positioning system with P-721.12Q QuickLock option and objective (adapter and objective not included)

- Scans and Positions Objectives with Sub-nm Resolution
- Travel Ranges to 140 µm, Millisecond Settling Time
- Significantly Faster Response and Higher Lifetime than Motorized Z-Stages
- Parallel Precision Flexure Guiding for Better Focus Stability
- Choice of Position Sensors: Capacitive Direct Metrology (Higher Performance) or Strain Gauge (Lower Cost)
- Compatible with Metamorph™ Imaging Software
- Outstanding Lifetime Due to PICMA® Piezo Actuators
- QuickLock Adapter for Easy Attachment
- Clear Aperture up to 29 mm Ø

P-721 PIFOCs® are high-speed, piezo-driven microscope objective nanofocusing/scanning

### Application Examples

- 3D-Imaging
- Z Stack Acquisition
- Screening
- Interferometry
- Metrology
- Disc-drive-testing
- Autofocus systems
- Confocal microscopy
- Biotechnology
- Semiconductor testing

devices, providing a positioning and scanning range of 100 µm with sub-nanometer resolution and very high motion of linearity up to 0.03%. For applications, such as the two-photon spectroscopy which requires a particularly high resolution, there are versions which allow a free aperture of up to 29 mm in diameter.

PIFOCs® are also available with up to 460 µm travel (P-725 p. 2-28), and for exceptional dynamic and step performance (models P-726 p. 2-32 and P-725.SDD p. 2-30).

### Superior Accuracy With Direct-Metrology Capacitive Sensors

Capacitive position feedback is used in the top-of-the-line

models. PI's proprietary capacitive sensors measure position directly and without physical contact. They are free of friction and hysteresis, a fact which, in combination with the positioning resolution of well under 1 nm, makes it possible to achieve very high levels of linearity. A further advantage of direct metrology with capacitive sensors is the high phase fidelity and the high bandwidth of up to 10 kHz.

Alternatively, strain gauge sensor (SGS) models are available. The sensors are connected in a bridge configuration to eliminate thermal drift, and assure optimal position stability in the nanometer range.

Open-loop models are available for applications where fast response and very high resolution are essential. Here, specifying or reporting absolute position values is either not required or is handled by external sensors, such as interferometers, a vision system or photodiode PSD (position sensitive detector). These models retain the inherent piezo advantage such as high resolution and speed.

### Ordering Information

#### P-721.CDO

Fast PIFOC® Piezo Nanofocusing Z-Drive, 100 µm, Direct Metrology, Capacitive Sensor, Sub-D Connector, for Quick Lock Thread Adapters

#### P-721.CLO

Fast PIFOC® Piezo Nanofocusing Z-Drive, 100 µm, Direct Metrology, Capacitive Sensor, LEMO Connector, for Quick Lock Thread Adapters

#### P-721.SL2

Fast PIFOC® Piezo Nanofocusing Z-Drive, 100 µm, SGS-Sensor, LEMO Connector, for Quick Lock Thread Adapters

#### P-721.0LQ

Fast PIFOC® Piezo Nanofocusing Z-Drive, 100 µm, No Sensor, LEMO Connector, for Quick Lock Thread Adapters

#### P-721.CDA

Fast PIFOC® Piezo Nanofocusing Z-Drive, 100 µm, Direct Metrology, Capacitive Sensor, Sub-D Connectors, for Large Aperture QuickLock Thread Adapters

#### P-721.SDA

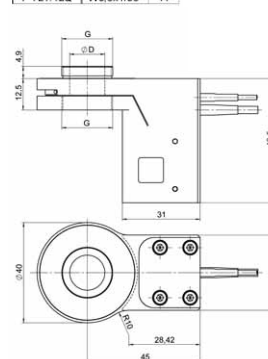
Fast PIFOC® Piezo Nanofocusing Z-Drive, 100 µm, SGS Sensor, Sub-D Connectors, for Large Aperture QuickLock Thread Adapters

### Accessories

QuickLock Thread Adapter, Large Aperture QuickLock Thread Adapter s. fig.; Extension Tubes for Objectives s. www.pi.ws

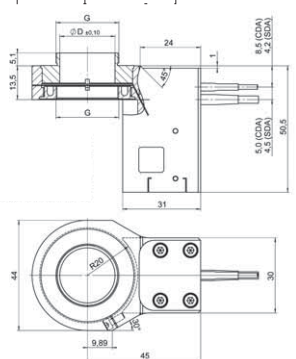
#### QuickLock Adapter

	G	D
P-721.02Q	M26x0.75	21
P-721.03Q	M27x0.75	21
P-721.04Q	M28x0.75	21
P-721.05Q	M32x0.75	21
P-721.06Q	M26x1/36"	21
P-721.08Q	M19x0.75	14
P-721.11Q	M25x0.75	21
P-721.12Q	W0.8x1/36"	14



P-721.xxQ, .SL2 dimensions in mm (adapter to be ordered separately)

	G	D
P-721.02A	M26x0.75	23
P-721.03A	M27x0.75	24
P-721.04A	M28x0.75	25
P-721.05A	M32x0.75	29
P-721.08A	M19x0.75	23
P-721.11A	M25x0.75	22



P-721.CDA, .SDA, dimensions in mm (adapter to be ordered separately)

### Simple Installation with QuickLock Thread Options

The PIFOC® is mounted between the turret and the objective with the QuickLock thread adapter. After threading the adapter into the turret, the QuickLock is affixed in the desired position. Because the PIFOC® body need not to be rotated, cable wind-up is not an issue.

### High Reliability and Long Lifetime

The compact PIFOC® systems are equipped with preloaded PICMA® high-performance piezo actuators which are integrated into a sophisticated, FEA-modeled, flexure guiding system. The PICMA® actuators feature cofired ceramic encapsulation and thus offer better performance and reliability

than conventional piezo actuators. Actuators, guidance and sensors are maintenance-free and not subject to wear, and thus offer an extraordinary reliability.

### Choice of Controllers

A large choice of analog and digital piezo controllers as OEM, bench-top and 19-inch-rack-mount versions is available.

### Technical Data

Model	P-721.CLO	P-721.CDQ P-721.CDA	P-721.SL2 P-721.SDA	P-721.0LQ	Units	Tolerance
Active axes	Z	Z	Z	Z		
<b>Motion and positioning</b>						
Integrated sensor	Capacitive	Capacitive	SGS	–		
Open-loop travel, -20 to +120 V	140	140	140	140	µm	min. (+20%/-0%)
Closed-loop travel	100	100	100	–	µm	calibrated
Open-loop resolution	0.5	0.5	0.5	0.5	nm	typ.
Closed-loop resolution	0.7	0.7	5	–	nm	typ.
Linearity, closed-loop	0.03	0.03	0.2	–	%	typ.
Repeatability	±5	±5	±10	–	nm	typ.
Runout θX, θY	13	13	13	13	µrad	typ.
Crosstalk X, Y	100	100	100	100	nm	typ.
<b>Mechanical properties</b>						
Stiffness in motion direction	0.3	0.3	0.3	0.3	N/µm	±20 %
Unloaded resonant frequency	580	580	580	550	Hz	±20 %
Resonant frequency @ 120 g	235	235	235	235	Hz	±20 %
Resonant frequency @ 200 g	180	180	180	180	Hz	±20 %
Push/pull force capacity in motion direction	100 / 20	100 / 20	100 / 20	100 / 20	N	Max.
<b>Drive properties</b>						
Ceramic type	PICMA® P-885	PICMA® P-885	PICMA® P-885	PICMA® P-885		
Electrical capacitance	3.1	3.1	3.1	3.1	µF	±20 %
Dynamic operating current coefficient	3.9	3.9	3.9	3.9	µA/(Hz·µm)	±20 %
<b>Miscellaneous</b>						
Operating temperature range	-20 to 80	-20 to 80	-20 to 80	-20 to 80	°C	
Material	Aluminum	Aluminum	Aluminum	Aluminum		
Mass	0.24	0.24	0.22	0.22	kg	±5 %
Max. objective diameter	39	39	39	39	mm	
Cable length	1	1	1	1	m	±10 mm
Sensor / voltage connection	LEMO	Sub-D Special	LEMO/Sub-D Special	LEMO (no sensor)		
Recommended controller / amplifier	E-610 servo controller/amplifier (p. 2-110), modular piezo controller system E-500 (p. 2-142) with amplifier module E-505 (high performance) (p. 2-147) and E-509 servo controller (p. 2-152)	E-625 servo controller, bench top (p. 2-114), E-665 powerful servo controller, bench-top (p. 2-116), Single-channel digital controller: E-753 (bench-top) (p. 2-108) E-709 single-channel digital controller	SL2 version: E-610 servo controller/amplifier, E-625 servo controller, bench-top, E-665 powerful servo controller, bench-top SDA version: E-709 single-channel digital controller	E-610 servo controller/amplifier		

Resolution of PI Piezo Nanopositioners is not limited by friction or stiction. Value given is noise equivalent motion with E-503 amplifier (p. 2-144)

Linear Actuators & Motors

Nanopositioning / Piezoelectrics

Piezo Flexure Stages / High-Speed Scanning Systems

Linear

Vertical & Tip/Tilt

2- and 3-Axis

6-Axis

Fast Steering Mirrors / Active Optics

Piezo Drivers / Servo Controllers

Single-Channel

Multi-Channel

Modular

Accessories

Piezoelectrics in Positioning

Nanometrology

Micropositioning

Index

# PIFOC® Objective Scanning System

## High-Dynamics Sub-Nanometer Piezo Drive; Controller & Software



PIFOC® long range objective scanning system with QuickLock thread adapter and controller (objective not included)

- Complete System with Controller: Fast Digital Controller, Software-Configurable Servo Parameters
- Travel Range 100 µm
- Scans and Positions Objectives with Sub-nm Resolution
- Frictionless, High-Precision Flexure Guiding System for Better Focus Stability
- Higher Linearity and Stability Through Digital Control and Direct Metrology with Capacitive Sensors
- Clear Aperture up to 29 mm Ø, QuickLock Adapter for Easy Attachment
- Interfaces: USB, RS-232 and analog
- Comprehensive Software Package, Compatible with MetaMorph Imaging Software

The PIFOC® piezo objective scanner systems include a high precision piezo mechanism and a custom-tuned compact digital controller. This combination provides higher performance at reduced costs. The integrated, frictionless and stiff piezo flex-

ure drive ensures high stiffness and fast settling times, as well as an exceptional guiding accuracy and response. The settling time of less than 10 ms increases the throughput and allows rapid Z-stack acquisition.

### Application Examples

- Microscopy
- Confocal microscopy
- 3D Imaging
- Screening
- Autofocus systems
- Surface analysis
- Wafer inspection

### Position Measurement with Highly Accurate Capacitive Sensors or Lower-Priced Strain Gauge Sensors

Capacitive sensors measure the position directly and without contact, they offer therefore a position resolution of far below one nanometer and excellent values in linearity. As an alternative, compact and lower-priced strain gauge sensors (SGS) with nanometer-

level resolution can be used which are applied to appropriate places on the drive train and thus measure the displacement of the moving part of the stage. The linearity is improved considerably with the digital controller provided.

### Simple Installation with QuickLock Thread Options

The PIFOC® is mounted between the turret and the objective with the QuickLock thread adapter. After threading the adapter into the turret, the QuickLock is affixed in the desired position. Because the PIFOC® body need not to be rotated, cable wind-up is not an issue. For applications which require a particularly large optical aperture a version with a 29 mm diameter threaded inserts is available.

### Digital Controller for Automated Scans

Included in the delivery is a digital controller which opens up the possibilities of digital control for piezo-driven nanopositioning systems for the same price as analog controllers. The advantage: higher linearity, simple operation and access to advanced features.

### Ordering Information

#### PD72Z1CAA

Fast PIFOC® Piezo Nanofocusing Z-Drive, 100 µm, Capacitive Sensor, M32 Large Aperture QuickLock Thread Adapters, Digital Controller with USB, RS-232

#### PD72Z1CAQ

Fast PIFOC® Piezo Nanofocusing Z-Drive, 100 µm, Capacitive Sensor, M25 QuickLock Thread Adapters, Digital Controller with USB, RS-232

#### PD72Z1SAA

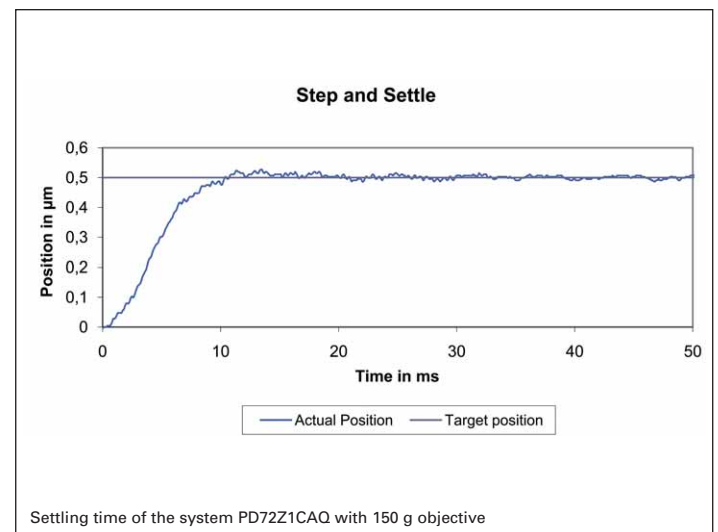
Fast PIFOC® Piezo Nanofocusing Z-Drive, 100 µm, SGS Sensor, M32 Large Aperture QuickLock Thread Adapters, Digital Controller with USB, RS-232

#### PD72Z1SAQ

Fast PIFOC® Piezo Nanofocusing Z-Drive, 100 µm, SGS Sensor, M25 QuickLock Thread Adapters, Digital Controller with USB, RS-232

### Flexibility: Software Configurable Servo Parameters

All servo controllers require tuning and adjustment of servo parameters for optimum performance (e.g. as a result of changes to the load or the motion profile). With a digital controller, all adjustments are carried out by simple software commands and the resulting motion or transient characteristics can be viewed, analyzed and further optimized immedi-



ately with the provided software. It is also possible to switch between previously found sets of parameters when the controller is in operation. Since jumpers and potentiome-

ters no longer have to be set manually, system integration becomes much more straightforward.

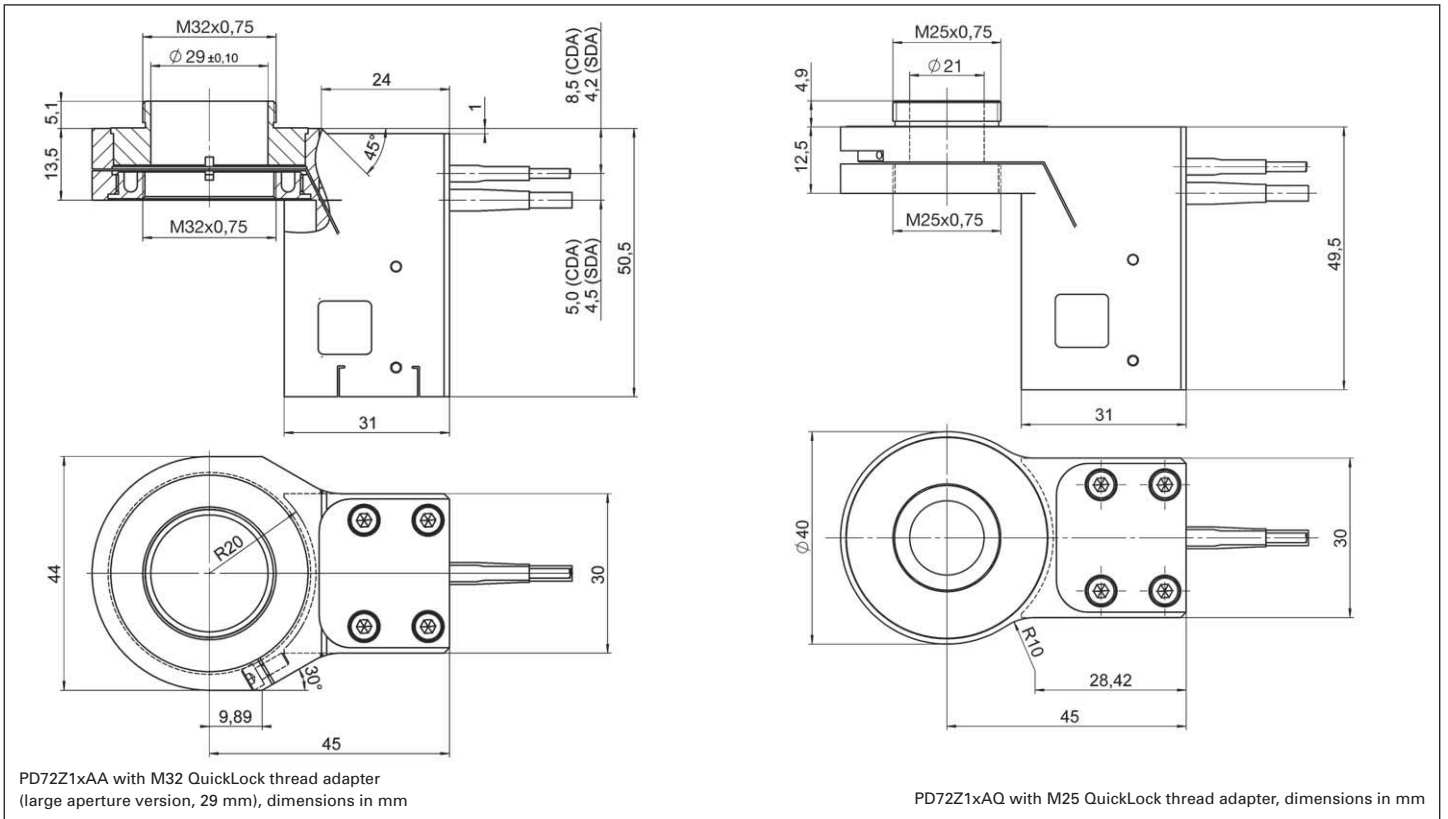
System setup with the included user-interface software is fast

and easy, interfacing to the customers' software is facilitated with the included LabVIEW drivers and DLLs.

Drivers for MetaMorph and  $\mu$ Manager are available.

#### Technical Data

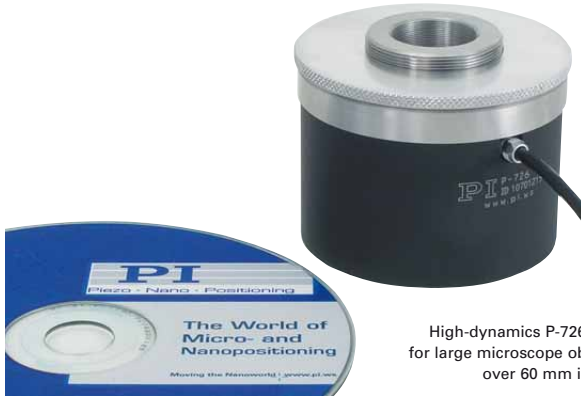
Model	PD72Z1SAA PD72Z1SAQ	PD72Z1CAA PD72Z1CAQ	Units	Tolerance
Active axes	Z	Z		
<b>Motion and positioning</b>				
Integrated sensor	SGS	Capacitive		
Closed-loop travel	100	100	$\mu\text{m}$	
Closed-loop resolution	5	1	nm	typ.
Closed-loop linearity	0.2	0.06	%	typ.
Repeatability	$\pm 10$	$\pm 5$	nm	typ.
Runout $\theta_X, \theta_Y$	13	13	$\mu\text{rad}$	typ.
CrossTalk in X, Y	100	100	nm	typ.
Settling time (0.5 $\mu\text{m}$ step with 5% accuracy, 150 g)	10	10	ms	typ.
<b>Mechanical properties</b>				
Stiffness in motion direction	0.3	0.3	N/ $\mu\text{m}$	$\pm 20\%$
Unloaded resonant frequency	580	580	Hz	$\pm 20\%$
Resonant frequency @ 120 g	235	235	Hz	$\pm 20\%$
Resonant frequency @ 200 g	180	180	Hz	$\pm 20\%$
Push/pull force capacity in motion direction	100 / 20	100 / 20	N	Max.
<b>Drive properties</b>				
Ceramic type	PICMA® P-885	PICMA® P-885		
<b>Controller</b>				
Function	Digital controller for single-axis piezo nanopositioning systems			
Processor	DSP 32-bit floating point, 150 MHz			
Communication interfaces	USB, RS-232			
Linearization	5th order polynomials			
Amplifier power	10 W (<5 ms); 5 W (>5 ms)			
I/O Connector	HD-Sub-D 26-pin, 1 Analog input 0 to 10 V, 1 Sensor monitor 0 to 10 V, 1 digital input (LVTTTL, programmable), 5 digital outputs (LVTTTL, 3 predefined, 2 programmable)			
User software	PIMikroMove, NanoCapture			
Software drivers	LabVIEW drivers, DLLs			
Supported functionality	Digital setting of the control parameters, wave generator, data recorder, auto zero, trigger I/O; compatible to MetaMorph, $\mu$ Manager			
Display	Status LED, overflow LED			
<b>Miscellaneous</b>				
Operating temperature range	10 to 50	10 to 50	$^{\circ}\text{C}$	
Material scanner	Aluminum			
Weight	0.22 (scanner), 0.5 (controller)	0.24 (scanner), 0.5 (controller)	kg	$\pm 5\%$
Cable length to controller	1 m			
Dimensions controller	160 x 96 x 33 mm			





# P-726 PIFOC® High-Load Objective Scanner

## High-Dynamic Piezo Z Scanner for Heavy Objectives



High-dynamics P-726 PIFOC® for large microscope objectives over 60 mm in length

- High-Dynamics Positioning and Scanning for Large Objectives
- 1120 Hz Resonant Frequency, 560 Hz with 210 g Load
- Typical Settling Time about 6 ms
- Travel Range 100 μm
- Direct-Metrology Capacitive Sensors for Best Linearity, Stability and Control Dynamics
- Resolution to 0.3 nm
- Frictionless, High-Precision Flexure Guiding System for Better Focus Stability

The P-726 PIFOC® Nanofocusing system was developed to achieve the fastest possible stepping time with the heavy, high-numerical-aperture objectives used in many of today's high-resolution microscopy applications. Its extremely stiff design offers excellent settling time and scanning frequency values even when objectives of several hundred grams are moved. High stiffness is

achieved with the rotationally symmetric arrangement of multiple piezo drives and the optimized design of the flexure and lever elements, which assure the excellent guiding accuracy and dynamics.

Furthermore, like other members of the PIFOC® family, the P-726 is equipped with direct metrology capacitive position sensors that allow resolutions far below one nanometer.

### Application Examples

- 3-D Imaging
- Screening
- Autofocus systems
- Microscopy
- Confocal microscopy
- Surface analysis
- Wafer inspection

### Direct Metrology with Capacitive Sensors for Highest Stability and Accuracy

PI's proprietary capacitive position sensors measure the actual motion of the moving part relative to the stationary base (direct metrology). Errors in the drive train, actuator, lever arm or in guiding system do not influence the measurements. The result is exceptional

motion linearity, higher long-term stability and a stiffer, more-responsive servo loop, because external influences are immediately recognized by the sensor. Due to this sensor principle, the P-726 features a resolution of under 0.4 nm in closed-loop and a linearity of 0.02%.

### Simple Installation with QuickLock Thread Options

The PIFOC® is mounted between the turret and the objective with the QuickLock thread adapter. After threading the adapter into the turret, the QuickLock is affixed in the desired position. Because the PIFOC® body need not to be rotated, cable wind-up is not an issue.

### Ceramic Insulated Piezo Actuators Provide Long Lifetime

Highest possible reliability is assured by the use of award-winning PICMA® multilayer piezo actuators. PICMA® actuators are the only actuators on the market with ceramic-only

### Ordering Information

**P-726.1CD**  
High-Dynamics PIFOC® Piezo Nanofocusing Z-Drive, 100 μm, Capacitive Sensor

#### QuickLock Thread Adapter as Accessories:

**P-726.04**  
P-726 PIFOC® Thread Adapter M28 x 0.75

**P-726.05**  
P-726 PIFOC® Thread Adapter M32 x 0.75

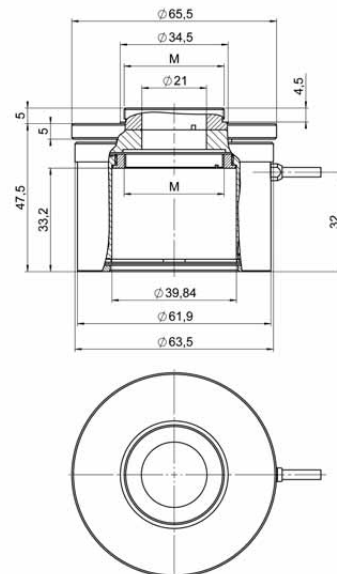
**P-726.06**  
P-726 PIFOC® Thread Adapter M26 x 1/36"

**P-726.11**  
P-726 PIFOC® Thread Adapter M25 x 0.75

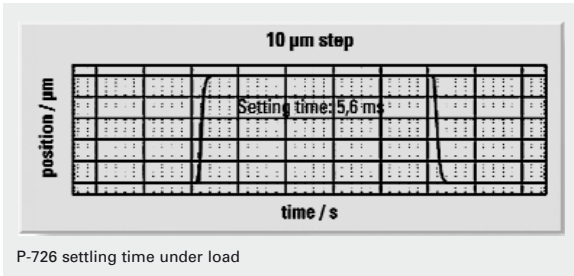
**P-726.12**  
P-726 PIFOC® Thread Adapter W0.8 x 1/36"

Ask about custom designs!

insulation, which makes them resistant to ambient humidity and leakage-current failures. They are thus far superior to conventional actuators in reliability and lifetime.



P-726 dimensions in mm with P-726.05 M32 QuickLock adapter



P-726 settling time under load

### Technical Data

	P-726.1CD	Tolerance
Active axes	Z	
<b>Motion and positioning</b>		
Integrated sensor	Capacitive, direct metrology	
Closed-loop travel	100 μm	calibrated
Closed-loop resolution	0.4 nm	typ.
Open-loop resolution	0.3 nm	typ.
Linearity, closed-loop	0.02 %	typ.
Repeatability	±3 nm	typ.
Runout $\Theta_x, \Theta_y$	±5 μrad	typ.
Crosstalk X, Y	50 nm	typ.
<b>Mechanical properties</b>		
Stiffness in motion direction	3.4 N/μm	±20 %
Unloaded resonant frequency	1120 Hz	±20 %
Resonant frequency under load	560 Hz @ 210 g	±20 %
Resonant frequency under load	480 Hz @ 310 g	±20 %
Push/pull force capacity in motion direction	100 / 50 N	Max.
<b>Drive properties</b>		
Piezo ceramic type	PICMA® P-885	
Electrical capacitance	6 μF	±20 %
Dynamic operating current coefficient	7.5 μA/(Hz · μm)	±20 %
<b>Miscellaneous</b>		
Operating temperature range	-20 to 80 °C	
Material	Aluminum, steel	
Dimensions	Diameter: 65 mm, Height: 50.7 mm	
Max. objective diameter	M32	
Mass	575 g	±5 %
Cable length	1.5 m	±10 mm
Sensor / voltage connection	Sub-D Special	
Recommended controller / amplifier	Single-channel digital controller: E-753 (bench-top) (p. 2-108) E-625 bench-top controller (p. 2-114), E-665 high-power bench-top controller (p. 2-116) E-500 modular piezo controller system (p. 2-142) with E-505 high-power amplifier module (p. 2-147) and E-509 servo-controller (p. 2-152)	
<b>System properties</b>		
System configuration	E-500 modular piezo controller system with E-505 high-power amplifier module and E-509 servo-controller 310 g load (objective mass)	
Closed-loop amplifier bandwidth, small signal, 10 μm	130 Hz	
Closed-loop amplifier bandwidth, large signal	70 Hz	

### Linear Actuators & Motors

### Nanopositioning / Piezoelectrics

### Piezo Flexure Stages / High-Speed Scanning Systems

Linear

Vertical &amp; Tip/Tilt

2- and 3-Axis

6-Axis

Fast Steering Mirrors /  
Active OpticsPiezo Drivers /  
Servo Controllers

Single-Channel

Multi-Channel

Modular

Accessories

Piezoelectrics in Positioning

Nanometrology

Micropositioning

Index



# N-725 PIFOC® High-Load Objective Scanner

## 1 mm Travel, Fast Response and Nanometer Precision



N-725 PIFOC® is the first piezo-objective drive with integrated NEXACT® Piezo Linear Motor, combining smooth motion, long travel ranges and fast response with extreme position stability

- **High Force & High-Dynamics for Positioning and Scanning of Large Objectives up to 29 mm Ø**
- **1 mm Travel for Applications with Large Penetration Depth**
- **Ideal for e. g. Two-Photon Microscopy**
- **Very Fast Response: 20 ms Step and Settle Time**
- **Self Locking at Rest, no Heat Generation, no Servojitter**
- **Drive Resolution < 1 nm, 20 nm Encoder Resolution**
- **Two Motion Modes: Continuous Nanostepping and High-Dynamics Analog Mode**
- **Compact Design: Ø 48 mm, 40.5 mm Height**
- **Frictionless, High-Precision Flexure Guiding System for Better Focus Stability**
- **QuickLock Thread Adapter for Simple Installation**

The N-725 PIFOC® is the first piezo objective nanopositioner equipped with a PiezoWalk® linear motor. This drive combines smooth motion, long travel ranges and fast step and settle with extreme position stability. Its exceptional stroke of 1 mm renders stepper motor positioners -often used as range ex-

tenders for piezo drives- unnecessary. The focussing plane can be selected in an extended range without any change of the mechanics. Together with a step and settle time of less than 20 ms this allows for higher throughput.

The large travel range is a big advantage for applications that have large optical penetration depth like two-photon microscopy where it allows to make use of the full working range of the objective and quickly scan through z stacks of up to 1 mm.

### Simple Installation with QuickLock Thread Options

The PIFOC® is mounted between the turret and the objective with the QuickLock thread adapter. After threading the

adapter into the turret, the QuickLock is affixed in the desired position. Because the PIFOC® body need not to be rotated, cable wind-up is not an issue.

### PiezoWalk® – the Multi-Functional Piezo Linear Motor

A great advantage characteristic of the NEXACT® drive principle is its dual-mode operating principle combining the best features of piezo motor designs, such as high resolution, high force and high speed into one compact unit. At the target position the drive requires no current and generates no heat while providing long-term, nanometer stability. This autolocking feature also completely eliminates servo jitter as it occurs with other closed-loop motors. Since motion is solely caused by the nanometer precise motion of clamped piezo actuators, there is no wear to limit the lifetime. When operated in closed-loop, excellent velocity control is achieved.

See p. 1-12 for further information on NEXACT® PiezoWalk® technology.

### Controller and Drive Electronics Optimized for the Application

NEXACT® actuators require special drive electronics to control the complex stepping sequences. The E-861 includes complete NEXACT® servo controller with low-noise drivers and a powerful DSP. It also comes with ample software for easy integration and highly effective computer control. For applications which do not require the highest resolution, the E-862 lower-priced drive electronics can be ordered.

The products described in this document are in part protected by the following patents: German Patent No. P4408618.0

### Ordering Information

**N-725.1A**  
PIFOC® Piezo Nanofocusing Z-Drive with NEXACT® Linear Motor, 1 mm, Linear Encoder, 20 nm Resolution, for QuickLock Thread Adapters

#### Accessories

QuickLock Thread Adapters: see figure

**P-721.90Q**  
Extens. Tube, 12.5 mm, Thread W0.8 x 1/36"

**P-721.91Q**  
Extens. Tube, 12.5 mm, Thread M25 x 0.75

**P-721.92Q**  
Extens. Tube, 12.5 mm, Thread M26 x 0.75

**P-721.93Q**  
Extens. Tube, 12.5 mm, Thread M27 x 0.75

**P-721.94Q**  
Extens. Tube, 12.5 mm, Thread M28 x 0.75

**P-721.95Q**  
Extens. Tube, 12.5 mm, Thread M32 x 0.75

**P-721.96Q**  
Extens. Tube, 12.5 mm, Thread M26 x 1/36"

**P-721.98Q**  
Extens. Tube, 12.5 mm, Thread M19 x 0.75

**Ask about custom designs!**

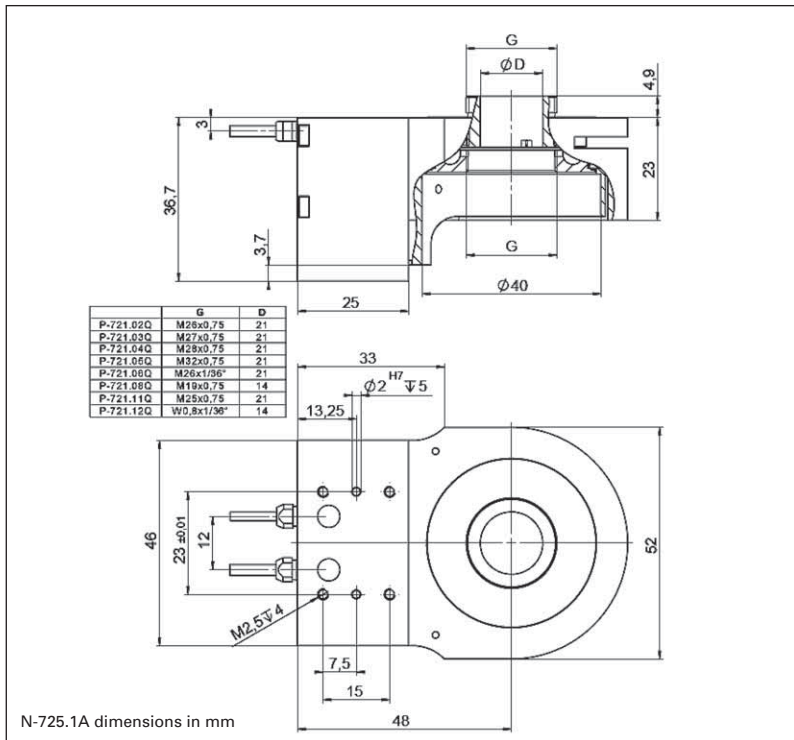
### Scanner for Higher Resolution and Higher Loads

PI offers a range of related PIFOC® objective scanners with different specifications. The P-725 models e. g. (s. p. 2-28) offer resolutions of less than one nanometer. For larger loads and dynamic scanning applications the models P-726 (s. p. 2-32) and P-725.DD (s. p. 2-30) are also available with travel ranges of up to 100 µm.

### Application Examples

- 3-D Imaging
- Screening
- Autofocus systems
- Microscopy
- Confocal microscopy
- Surface structure analysis
- Wafer inspection





## Technical Data

<b>Model</b>	<b>N-725.1A</b>
Active axes	Z
<b>Motion and positioning</b>	
Travel range	1 mm
Integrated sensor	Linear encoder
Sensor resolution	20 nm *
Travel range in analog mode	7 µm
Closed-loop resolution	20 nm *
Linearity, closed-loop	0.1%
Bidirectional repeatability	50 nm
Rotation (X, Y) typ.	15 µrad / 100 µm
Step and Settle (200 nm), typ.	20 ms
Max. velocity	10 mm/s*
<b>Mechanical properties</b>	
Stiffness in motion direction	0.5 N/µm
Max. push / pull force (active)	10 N
<b>Drive properties</b>	
Drive type	NEXACT® linear drive
Operating voltage	-10 V to +45 V
<b>Miscellaneous</b>	
Operating temperature range	0 to 50°C
Material	Aluminium
Mass	440 g
Cable length	1.5 m
Connector	HD sub-D connector, 15-pin
Recommended controller	E-861.1A1 Controller for NEXACT® Linear Drives and Positioners

\* With E-861. Depending on drive electronics.

Linear Actuators & Motors

Nanopositioning / Piezoelectrics

Piezo Flexure Stages / High-Speed Scanning Systems

Linear

Vertical & Tip/Tilt

2- and 3-Axis

6-Axis

Fast Steering Mirrors / Active Optics

Piezo Drivers / Servo Controllers

Single-Channel

Multi-Channel

Modular

Accessories

Piezoelectrics in Positioning

Nanometrology

Micropositioning

Index